



## AC MOTOR

### FHP AC INDUCTION WORM GEARED MOTOR

#### INTRODUCTIONS :

The electric motor is everywhere, Electric Motors use more than 70% of all electricity consumed by the industrial sector. The AC Motor are ideal for most application liner for fans, pumps, conveyer, compressors machine tools, robots, generators and in many other industrial applications.

#### FEATURES :

- Robust Design.
- Dimensional Accuracy.
- Consistent performance.

#### RANGE :

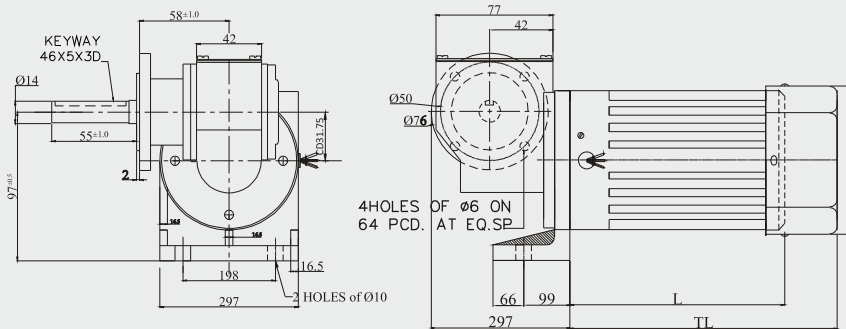
Power : 40 W to 180W

Speed : 1400rpm to 2800rpm

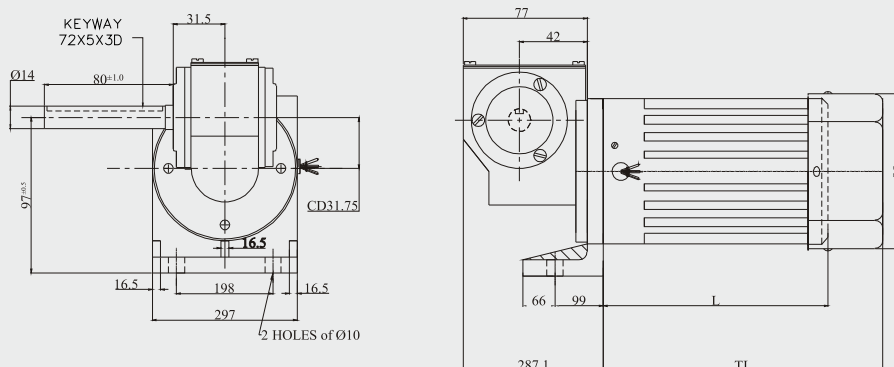


#### MECHANICAL DIMENSION:

##### FLANGE MOUNTING



##### FOOT MOUNTING





54, Annapurna Industrial Estate, Tilak Road,  
Ghatkopar (E), Mumbai - 400 077 India  
Tel: +91-22-21029911  
E-mail: sales@excellaelectronics.com



**AC MOTOR**

**FHP AC INDUCTION WORM GEARED MOTOR**

**TECHNICAL DETAILS:**

RATED TORQUE OF INLINE GEAR HEAD ONLY												
APPLICATION	RATIO	O/P RPM	TORQUE Kg-cm						40 Watts	60 Watts	90 & 120 Watts	180 & 200 Watts
			40W	60W	90W	120W	180W	200W	TL	TL	TL	TL
40,60,90, 120,180 WATTS MOTOR	<b>WORM GEAR</b>											
	10	125	15	20	30	40	50	60	126	130	145	165
	16	75	25	40	60	80	100	120	126	130	145	165
	24	50	40	60	80	100	120	150	126	130	145	165
	48	25	70	80	120	140	180	200	126	130	145	165
<b>WEIGHT (KG)</b>			3.9	3.9	4.4	4.4	4.8	4.8				